

DOMOTAPE™

DOMOTAPE™ combines strong fibres with the strength and versatility of polyamide and polypropylene.



UD TAPES TECHNOLOGIES

Local reinforcement of injection molded parts

Available in different thickness and widths

Allow different load path design on the final part

Fully use of anisotropic properties

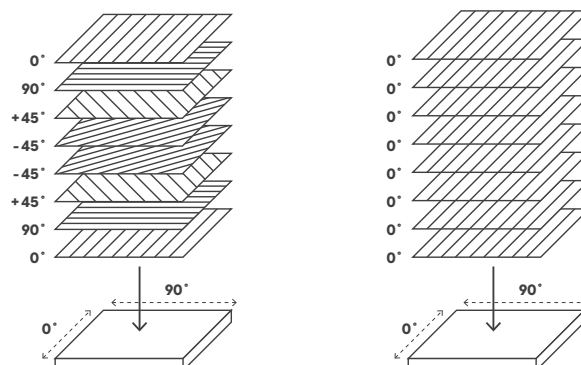
Advantage compared to isotropic materials

Different operating temperature (PP PA6)

Adjustable mechanical properties

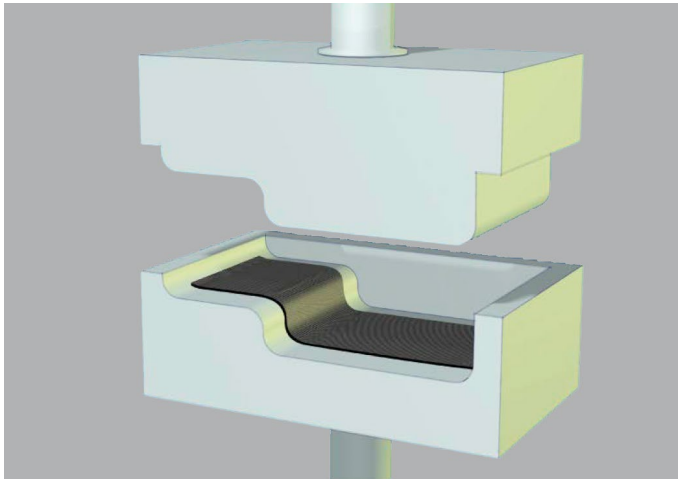
- By usage of different fibers
- By different fiber mass content

DOMOTAPE™ sheets can be used as a single reinforcement sheet as well as a combination of multiple angled layers.

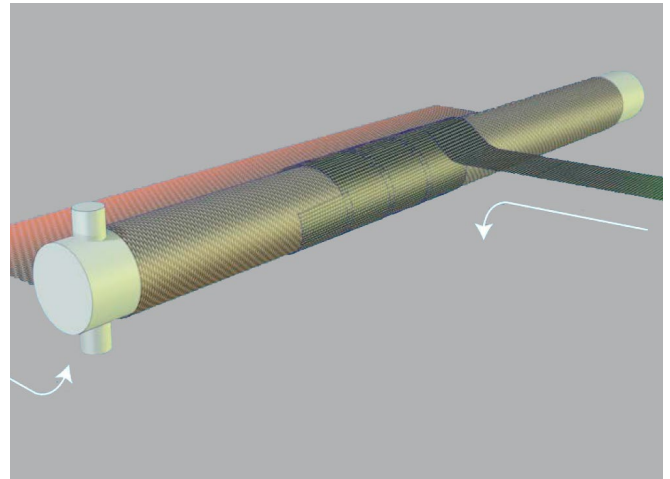


DOMOTAPE™

UD TAPES TECHNOLOGIES



Backmoulding



Winding

Combining high process speed with multidirectional strength

PRODUCT RANGE

THERMOPLASTIC RESINS	REINFORCEMENT	TAPE
DOMAMID® (PA6)	Carbon fibre	DOMOTAPE™ AIR
DOMAMID® (PA6) DOMOLEN® (PP)	Glass Fibre	DOMOTAPE™ 6

What are your application requirements? Which specifications do you need to fulfill? DOMO experts will work out your tailormade solution.

DOMOTAPE APPLICATIONS

